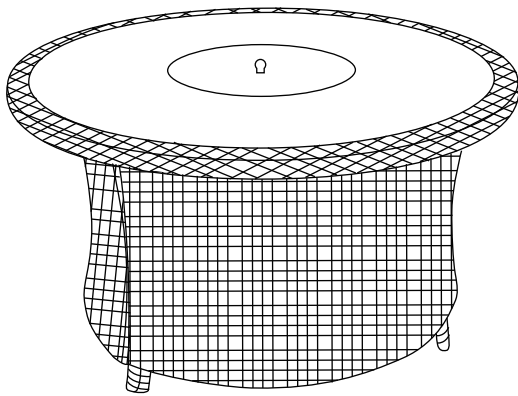




# OUTDOOR FIRE TABLE OWNER'S MANUAL

**IMPORTANT:** RETAIN FOR FUTURE REFERENCE.  
READ CAREFULLY BEFORE ASSEMBLY.

## TECHNICAL SPECIFICATION



### Certifications:

ANS Z21.97-2017/CSA 2.41-2017

Outdoor Decorative Gas Appliances

**Rating:** Maximum 55,000 BTU / hr. input

**Tank size:** 20 lb / 9 kg

**Fuel:** Propane Gas

**Mainfold pressure:** 11.00 in. W.C.

**Inlet gas supply pressure:**


Maximum 250 PSI Minimum 25 PSI



**! WARNING:** For Outdoor Use Only  
Installation and service must be performed by a qualified installer, service agency, or the gas supplier.

**! WARNING**  
Do not store or use gasoline or other flammable vapors and liquids in the vicinity of this or any other appliance. An LP-cylinder not connected for use shall not be stored in the vicinity of this or any other appliance.

**! WARNING**  
Improper installation, adjustment, alteration, service or maintenance can cause property damage, injury or death. Read the installation, operation and maintenance instructions thoroughly before installing or servicing this equipment.

**! DANGER**  
 **CARBON MONOXIDE HAZARD**  
This appliance can produce carbon monoxide which has no odor. Using it in an enclosed space can kill you. Never use this appliance in an enclosed space such as a camper, tent or home.

**! DANGER**  
**FIRE OR EXPLOSION HAZARD**  
If you smell gas:  
1. Shut off gas to the appliance.  
2. Extinguish any open flame.  
3. If odor continues, leave the area immediately.  
4. After leaving the area, call your gas supplier or fire department.  
Failure to follow these instructions could result in fire or explosion, which could cause property damage, personal injury, or death.

**INSTALLER:** Leave this manual with the appliance.  
**CONSUMER:** Retain this manual for further reference.

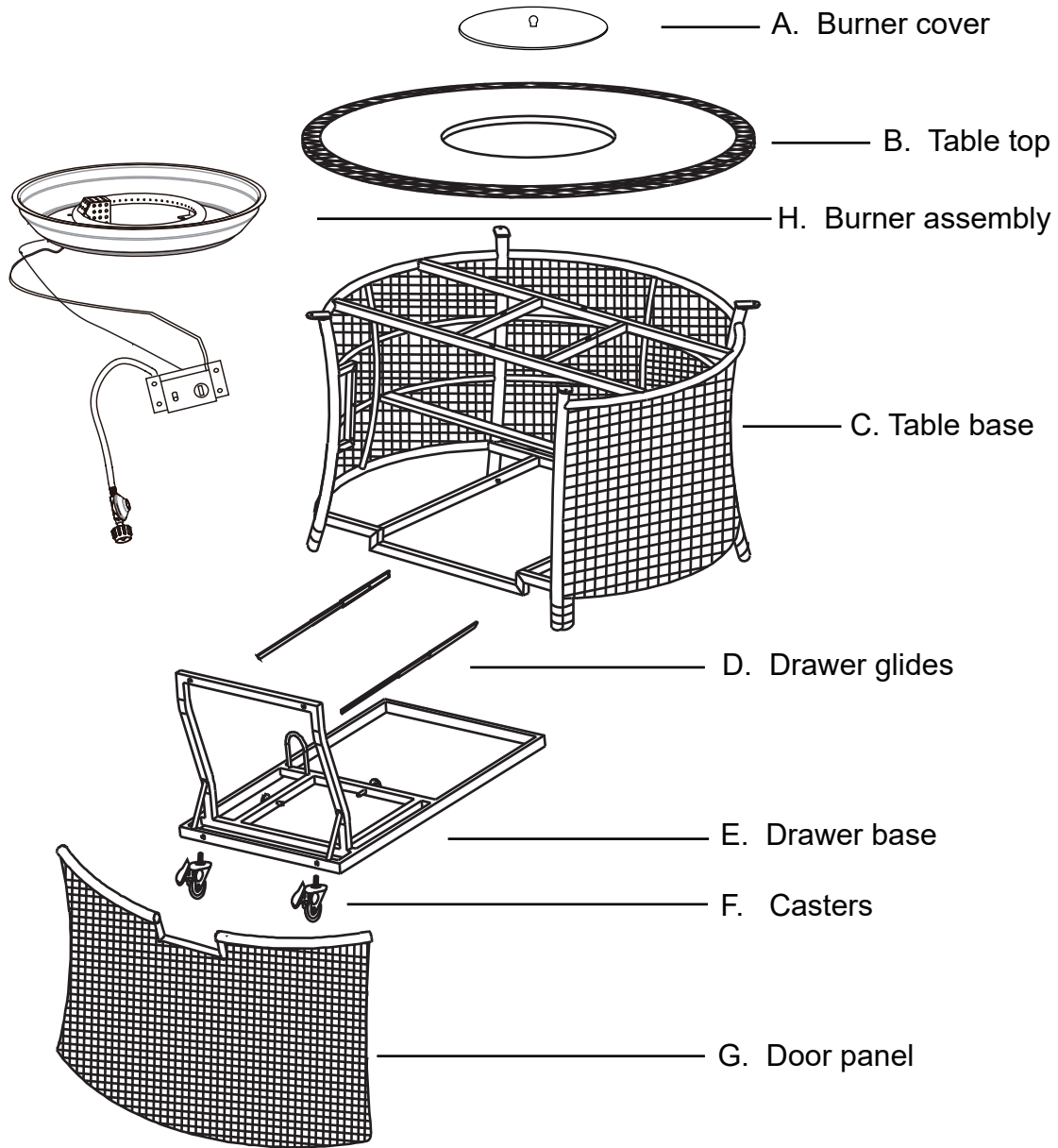
**! WARNING:** If the information in this manual is not followed exactly, a fire or explosion may result causing property damage, personal injury, or loss of life.

CSA MODEL # : Ulc-FZY48-C-E series MC#264384



If you experience difficulties with this product, do not return to the place of purchase. Please contact Grand Leisure Furniture and we will replace defective or missing parts free of charge. (Continental US only) For customer service inquiries, please contact us at: 1-877-672-3727 (US) 7 a.m.-4 p.m. PST, Monday - Friday. / or you may email [cs@grandleisure.us](mailto:cs@grandleisure.us)

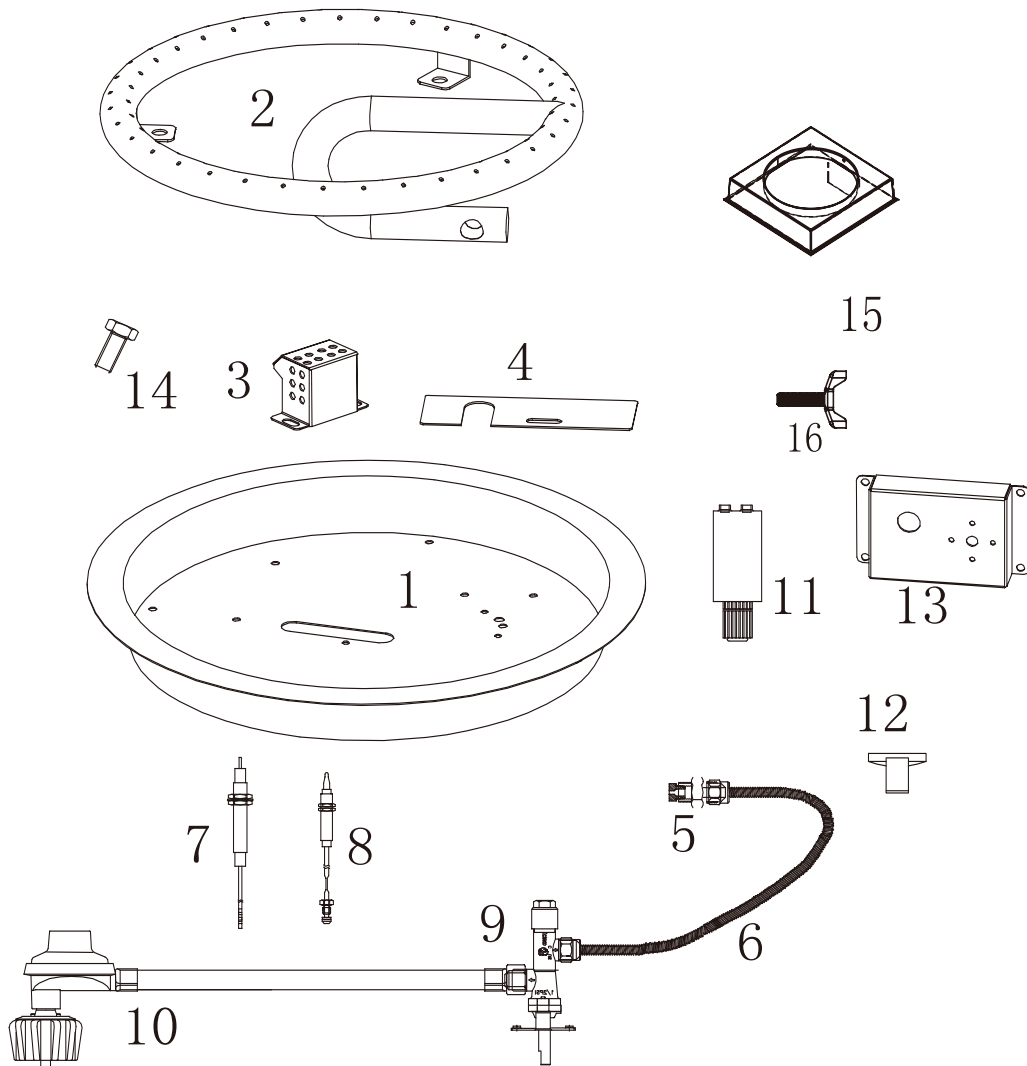
**PARTS IDENTIFICATION LIST**



PART	DESCRIPTION	QUANTITY
A	Burner cover	1
B	Table top	1
C	Table base	1
D	Drawer glides	1
E	Drawer base	1
F	Casters	2
G	Door panel	1
H	Burner Assembly	1
I	Fire Glass	8KGS

**\* The ignition module requires one Alkaline AA size battery (1.5V). Battery is not included**

**BURNER IDENTIFICATION LIST**



NO.	Components	Specification	Quantity
1	Round Burner Pan	19"	1
2	Burner	10" rotundity burner	1
3	Ignitor box	43*40*46	1
4	Burner baffle	146*50	1
5	Orifice	5/8-18UNF	1
6	Bellows	5/8-18UNF	1
7	Ignition Needle	UL3573	1
8	Thermocouple	M8*1.0	1
9	Safety Valve	5/8-18UNF	1
10	Regulator	1/2PSI	1
11	Ignition	Light tough	1
12	Control knob	Diam:40	1
13	Control box	SS	1
14	Screw	1/4	7
15	Gas tank	SS	1
16	Screw	M6*40	2



# SAFETY INFORMATION

Please read and understand this entire manual before attempting to assemble, operate or install the product. If you have any questions regarding the product, please call customer service at **1-877-672-3727**, 7 a.m. - 4 p.m., PST, Monday - Friday.

This appliance has been tested to and complies with the ANS Z21.97-2017, Outdoor Decorative Gas Appliances CGA CR 97-003 Outdoor Gas Fireplaces. The installation must conform to local codes or the absence of local codes to the National Fuel Gas Code. ANSIZ223.1. This manual contains important information about the assembly, operation and maintenance of this fire table. General safety information is presented in these first few pages and is also located throughout the manual. Keep this manual for future reference and to educate new users of this product. This manual should be read in conjunction with the labeling on the product. Safety precautions are essential when any mechanical or propane fueled equipment is involved. These precautions are necessary when using, storing, and servicing. Using this equipment with the respect and caution demanded will reduce the possibilities of personal injury or property damage. The following symbols shown below are used extensively throughout this manual. Always heed these precautions, as they are essential when using any mechanical or fueled equipment.

**⚠ DANGER**

DANGER indicates an imminently hazardous situation which, if not avoided, will result in death or serious injury.

**⚠ DANGER**

Failure to comply with the precautions and instructions provided with this fire pit can result in death, serious bodily injury and property loss or damage from hazards of fire, explosion, burn, asphyxiation, and/or carbon monoxide poisoning. Only persons who can understand and follow the instructions should use or service this fire pit.

**⚠ DANGER**

**FOR YOUR SAFETY**  
If you smell gas:

1. Shut off gas to the appliance.
2. Extinguish any open flame.
3. If odor continues, keep away from the appliance and immediately call you gas supplier or fire department.

**⚠ DANGER**

Solid fuels shall not be burned in this appliance.

**SAFETY INFORMATION**

**⚠ DANGER**

- EXPLOSION - FIRE HAZARD
- Keep solid combustibles, such as building materials, paper or cardboard, a safe distance away from the fire pit as recommended by the instructions.
- Provide adequate clearances around air openings into the combustion chamber.
- Never use the fire pit in spaces which do or may contain volatile or airborne combustibles, or products such as gasoline, solvents, paint thinner, dust particles or unknown chemicals.
- During operation, this product can be a source of ignition. Keep fire pit area clear and free from combustible materials, gasoline, paint thinner, cleaning solvents and other flammable vapors and liquids. Do not use fire pit in areas with high dust content. Minimum fire pit clearances from combustible materials: two (2) feet from the sides & two (2) feet from the rear, 6 feet from ceiling.

**⚠ DANGER**

- EXPLOSION - FIRE HAZARD
- Never store propane near high heat, open flames, pilot lights, direct sunlight, other ignition sources or where temperatures exceed 120 degrees F (49°C).
- Propane vapors are heavier than air and can accumulate in low places. If you smell gas, leave the area immediately.
- Never install or remove propane cylinder while fire pit is lighted, near flame, pilot lights, other ignition sources or while fire pit is hot to touch.
- This fire pit is red hot during use and can ignite flammables too close to the burner. Keep flammables at least 2 feet from sides & 2 feet from rear, 6 feet from ceiling. Keep gasoline and other flammable liquids and vapors well away from fire pit.
- Store the propane cylinder outdoors in a well ventilated space out of reach of children. Never store the propane cylinder in an enclosed area (house, garage, etc.). If fire pit is to be stored indoors, disconnect the propane cylinder for outdoor storage.

**⚠ WARNING**

We cannot foresee every use which may be made of our fire pit. Check with your local fire safety authority if you have questions about fire pit use. Other standards govern the use of fuel gases and heat producing products for specific uses. Your local authorities can advise you about these. If no local codes exist, follow National Fuel Gas Code, ANSI Z223.1. In Canada, installation must conform to local codes. If no local codes exist, follow the current National standards of CANADA CAN/CGA-B 149.2.

**⚠ DANGER**

- CARBON MONOXIDE HAZARD
- This fire pit is a combustion appliance. All combustion appliances produce carbon monoxide (CO) during the combustion process. This product is designed to produce extremely minute, non-hazardous amounts of CO if used and maintained in accordance with all warnings and instructions. Do not block air flow into or out of the fire pit.
- Carbon Monoxide (CO) poisoning produces flu-like symptoms, watery eyes, headaches, dizziness, fatigue and possibly death. You can't see it and you can't smell it. It's an invisible killer. If these symptoms are present during operation of this product get fresh air immediately!
- For outdoor use only.
- Never use inside house, or other unventilated or enclosed areas.
- This fire pit consumes air (oxygen). Do not use in unventilated or enclosed areas to avoid endangering your life.

**⚠ WARNING**

WARNING indicates an imminently hazardous situation which, if not avoided, will result in death or serious injury.

**⚠ WARNING**

Do not store or use gasoline or other flammable vapors and liquids in the vicinity of this or any other appliance. An LP-cylinder not connected for use shall not be stored in the vicinity of this or any other appliance.

**⚠ WARNING: For Outdoor Use Only**

**⚠ DANGER**



**CARBON MONOXIDE HAZARD**  
This appliance can produce carbon monoxide which has no odor. Using it in an enclosed space can kill you. Never use this appliance in an enclosed space such as a camper, tent or home.

**⚠ WARNING**

Improper installation, adjustment, alteration, service or maintenance can cause property damage, injury or death. Read the installation, operation and maintenance instructions thoroughly before installing or servicing this equipment.

## SAFETY INFORMATION

### WARNING

California Proposition 65  
Combustion by-products produced when using this product contain chemicals known to the State of California to cause cancer, birth defects, and other reproductive harm.

### WARNING

#### BURN HAZARD

- Never leave fire pit unattended when hot or in use.
- Keep out of reach of children.

### WARNING

Certain materials or items, when stored under the fire pit, will be subjected to radiant heat and could be seriously damaged.

### WARNING

- Alert children and adults to the hazards of high surface temperatures. Stay away from these surfaces to avoid burning skin or igniting clothing.
- Carefully supervise young children when in the vicinity of the fire pit.
- Do not hang clothing or any other flammable materials from the fire pit, or place on or near the fire pit.
- Replace any guard or protective device removed for servicing the appliance prior to placing back in service.
- Installation and repair should be done by a qualified service person. The fire pit should be inspected before use and annually by a qualified service person. More frequent cleaning may be required as necessary. It is imperative that the control compartment, burners, and circulating air passageway of the appliance be kept clean.

### WARNING

USE FACTORY APPROVED REPLACEMENT PARTS AND ACCESSORIES ONLY. USE OF UNAPPROVED PARTS OR ACCESSORIES CAN VOID THE WARRANTY ON THIS PRODUCT AND RESULT IN A HAZARDOUS CONDITION. PLEASE CONTACT US FOR INFORMATION REGARDING REPLACEMENT HOSES, ELECTRODES, IGNITION MODULES & LAVA ROCKS.

### WARNING

- This product is fueled by propane gas. Propane gas is invisible, odorless, and flammable. An odorant is normally added to help detect leaks and can be described as a “rotten egg” smell. The odorant can fade over time so leaking gas is not always detectable by smell alone.
- Propane gas is heavier than air and leaking propane will sink to the lowest level possible. It can ignite by ignition sources including matches, lighters, sparks or open flames of any kind many feet away from the original leak. Use only propane gas set up for vapor withdrawal.
- Store or use propane gas in compliance with local ordinances and codes or with ANSI/NFPA 58. Turn off propane when not in use.

### CAUTION

#### SERVICE SAFETY

- Keep all connections and fittings clean. Make sure propane cylinder valve outlet is clean.
- During set up, check all connections and fittings for leaks using soapy water. Never use a flame.
- Use as a heating appliance only. Never alter in any way or use with any device.

### CAUTION

- Always purchase the correct size and grade of battery most suitable for the intended use.
  - Always replace the whole set of batteries at one time, taking care not to mix old and new ones, or batteries of different types
  - Clean the battery contacts and also those of the device prior to battery installation
  - Ensure the batteries are installed correctly with regard to polarity (+ and -)
  - Remove batteries from equipment which is not to be used for an extended period of time.
  - Remove used batteries promptly
- For recycling and disposal of batteries to protect the environment, please check the internet or your local phone directory for local recycle centers and / or follow local government regulations.

### CAUTION

CAUTION indicates an imminently hazardous situation which, if not avoided, may result in minor or moderate personal injury, or property damage.



## OPERATION CHECKLIST

### Operation Checklist

For a safe and pleasurable heating experience, perform this check before each use.

#### Before Operation:

1. I am familiar with entire owner's manual and understand all precautions noted.
2. All components are properly assembled, intact and operable.
3. No alterations have been made.
4. All gas connections are secure and do not leak.
5. Wind velocity is below 10 mph.
6. Unit will operate at reduced efficiency below 40°F.
7. Fire pit is outdoors (outside any enclosure).
8. There is adequate fresh air ventilation. Do not use this appliance if any part has been under water. Immediately call a qualified service technician to inspect the appliance and to replace any part of the control system and gas control which has been under water.
9. Fire pit is away from gasoline or other flammable liquids or vapors.
10. Fire pit is away from windows, air intake openings, sprinklers and other water sources.
11. Fire pit is at least 24 in. on rear and at least 24 in. on sides from combustible materials.
12. Fire pit is on a hard and level surface.
13. There are no signs of spider or insect nests.
14. All burner passages are clear.
15. All air circulation passages are clear.
16. Children and adults should be alerted to the hazards of high surface temperatures and should stay away to avoid burns or clothing ignition.
17. Young children should be carefully supervised when they are in the area of the fire pit.
18. Clothing or other protective material should not be hung from the fire pit, or placed on or near the fire pit.
19. Any guard or other protective device removed for servicing the fire pit must be replaced prior to operating the fire pit.
20. Installation and repair should be done by a qualified service person. The fire pit should be inspected before use and at least annually by a qualified service person.
21. More frequent cleaning may be required as necessary. It is imperative that control compartment, burner and circulating air passageways of the fire pit be kept clean.

#### After Operation:

1. Gas control is in OFF position.
2. Gas tank valve is OFF.
3. Disconnect gas line.
4. After each use, the cylinder valve should be covered.

# ASSEMBLY INSTRUCTIONS

**ATTENTION:** THIS PRODUCT IS NOT FOR COMMERCIAL USE. INTENDED FOR RESIDENTIAL USE ONLY. Keep children away during assembly. This item contains small parts which can be swallowed by children. Do not use indoors and inside any enclosure. Retain the manual for future reference. Installer — Please leave this manual with the owner.

**PREPARATION:** Before beginning assembly of product, make sure all parts are present.

Compare parts with package contents list and hardware contents above. If any part is missing or damaged, do not attempt to assemble the product. Contact customer service for replacement parts.

**Estimated Assembly Time: 10 minutes**

1. Carefully unpack all items from the box. There must be a minimum of clearance from the appliance to any combustible materials

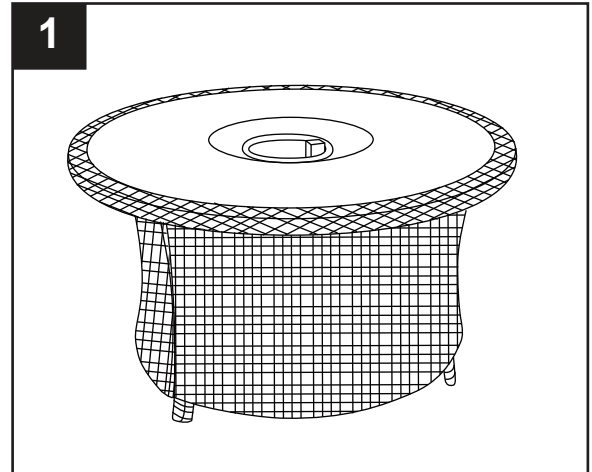
**CLEARANCES**

**Adjacent sides 48 in / 121.9 cm**

**Ceiling 72 in / 182.9 cm**

**Floor Non-Combustible**

2. Pour the glass rocks or lava rocks into the burner pan completely covering the burner. See Figure 2.



**WARNING**  
DO NOT COVER THE IGNITION SCREEN when placing the lava rocks or glass rocks into the fire bowl. Always keep Ignition Screen visible. This screen must be clear and free of obstructions at all times to insure proper operation.



CORRECT



INCORRECT

Screen —  
Do not place lava rocks or glass rocks on screen. Keep screen clear.

**WARNING**  
The burner of the fire bowl must be covered by the lava rocks or glass rocks completely. Otherwise the flame may be extinguished occasionally. See the Figure CORRECT and INCORRECT for reference.

3. Remove the cardboard cover from the ignition well as shown in Figure 3.

**ATTENTION:**  
Do not sit or stand on this table.  
Use a glove when handling lava rocks or glass rocks.



CARDBOARD COVER

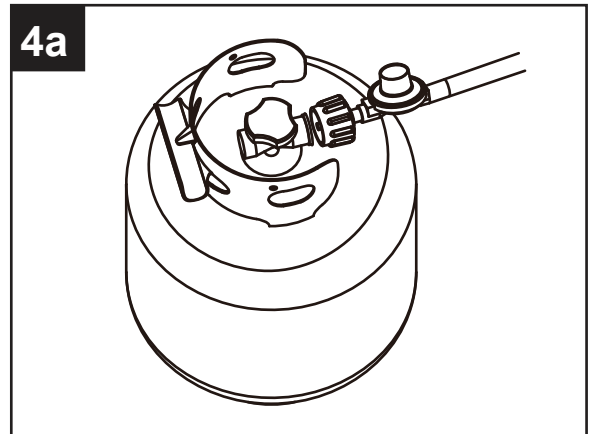


## ASSEMBLY INSTRUCTIONS

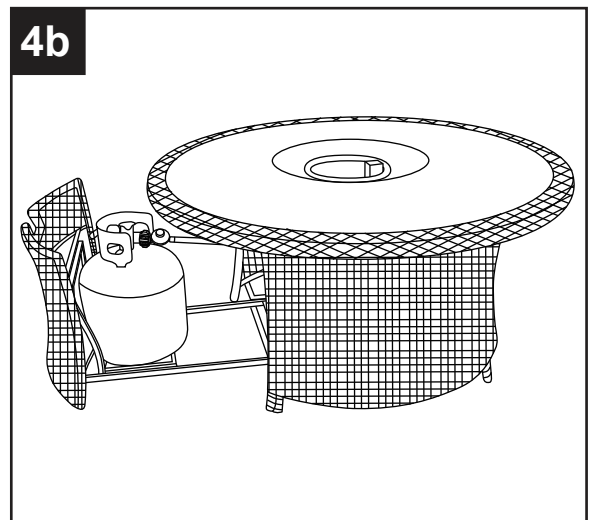
### 4. Connect the regulator to cylinder.

4a. Slide the tank drawer out and place the LP tank in the drawer. Connect the regulator as shown in Figure 4a

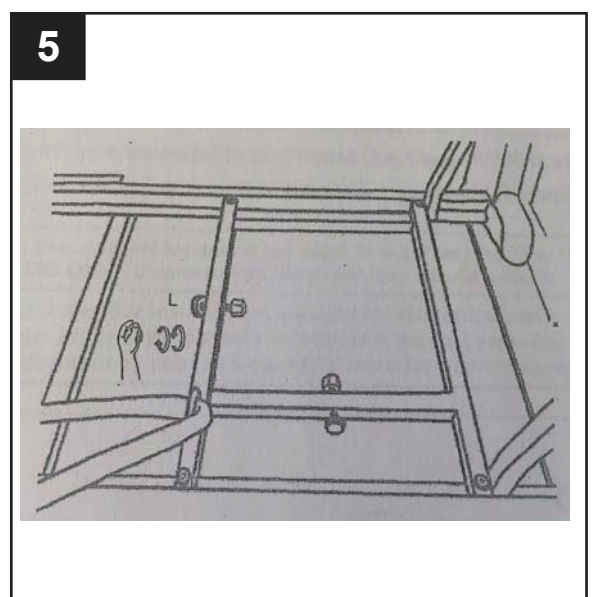
**NEVER USE A FLAME TO CHECK FOR LEAKS.**



4b. Turn the black handle clock-wise to tighten. Check that the valve is turned all the way clockwise to the "OFF" POSITION. Open the tank valve.



5. Tighten threaded knobs(found on tank tray (Figure 5) so that the LP tank cannot move from side to side. Do not remove plastic cap from end of threaded section.



# ASSEMBLY INSTRUCTIONS

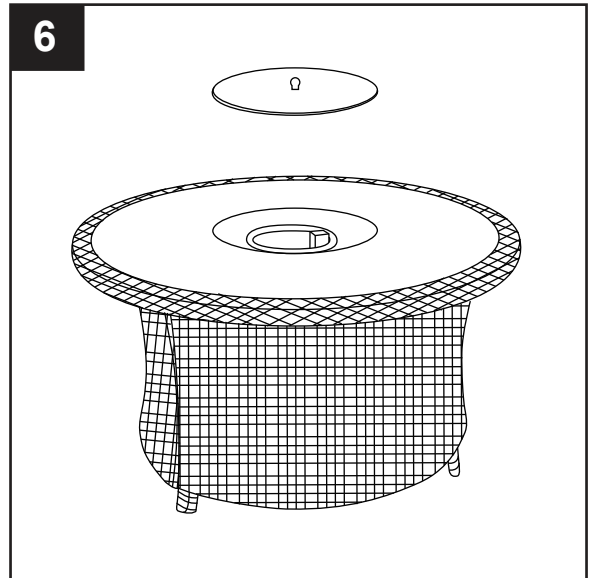
## 6. LAZY SUSAN/BURNER COVER ASSEMBLY.

If you purchased a lazy susan or burner cover, please place it on the table top as shown in Figure 6.

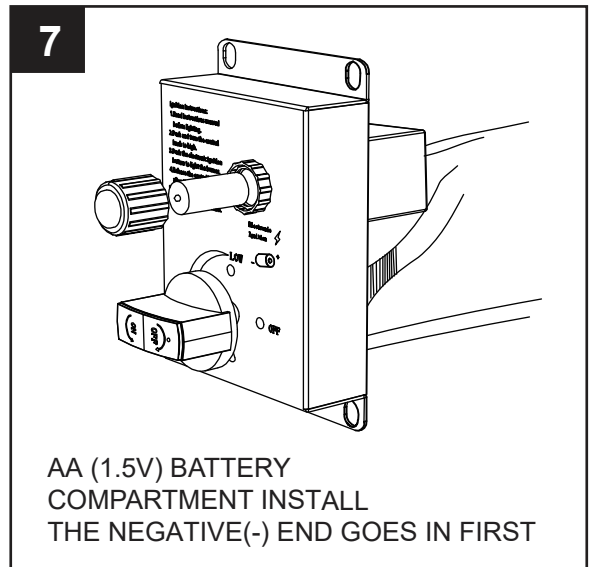
**⚠ WARNING**

BEFORE PLACING THE LAZY SUSAN / BURNER COVER ON, MAKE SURE THE FIREPIT HAS BEEN SHUT OFF AND THE BURNER HAS COMPLETELY COOLED DOWN

\* Some fire glass rocks may need to be removed in order to install Lazy Susan properly.



7. Make sure the control knob is in the “OFF” position. Unscrew the cap on the ignition module located on the control panel to access the battery compartment. The ignition module requires one Alkaline AA size battery (1.5V). The negative (-) end goes in first. See Figure 7.



## PROPANE CYLINDER INFORMATION

1. Connect hose and regulator to cylinder. The propane gas and cylinder are sold separately. Use a standard 20 lb. propane cylinder only. Use this fire pit only with a propane vapor withdrawal supply system. See chapter 5 of the standard for storage and handling of liquefied petroleum gas, ANSI/NFPA 58. Your local library or fire department should have this book.

Storage of an appliance indoors is permissible only if the cylinder is disconnected and removed from the appliance. A cylinder must be stored outdoors in a well-ventilated area out of the reach of children. A disconnected cylinder must have dust caps tightly installed and must not be stored in a building, garage or any other enclosed area. The maximum inlet gas supply pressure: 250 psi, The minimum inlet gas supply pressure: 25 psi. The minimum hourly of 10000 BTU is required input rating for a fire pit for automatic operation at ratings less than full input rating. The pressure regulator and hose assembly supplied with the appliance must be used. The installation must conform with local codes, or in the absence of local codes, with national fuel gas code, ANSI Z223.1/NFPA54, or propane storage and handling code B149.2.

2. A dented, rusted or damaged propane cylinder may be hazardous and should be checked by your cylinder supplier. Never use a propane cylinder with a damaged valve connection.

The propane cylinder must be constructed and marked in accordance with the specifications for LP gas cylinders of the U.S. Department of Transportation (DOT) or the standard for cylinders, spheres and tubes for transportation of dangerous goods and commission, CAN/CSA-B339.

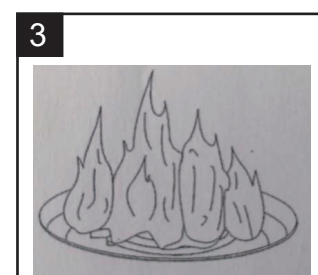
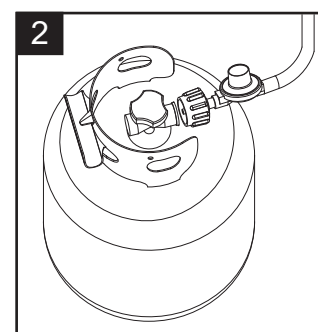
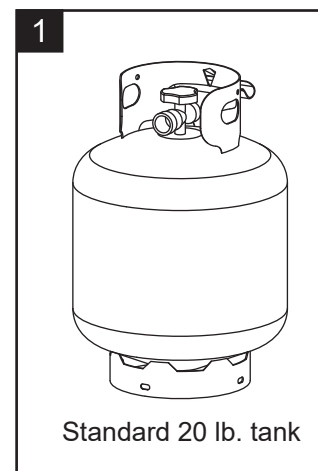
The cylinder must have a listed overfilling prevention device.

The cylinder must have a connection device compatible with the connection for the appliance.

The cylinder used must include a collar to protect the cylinder valve.

Never connect an unregulated propane cylinder to the fire pit.

3. The flames should look like those in Figure 3. To clean the burner, use a soft brush after the burner has cooled completely. Never use a vacuum cleaner on the burner. It is recommended that the fire pit be stored indoors during the winter if it will be subjected to freezing temperatures. The LP cylinder must be disconnected and removed from the appliance before the appliance can be stored indoors.

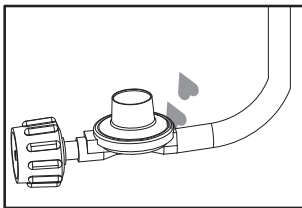


- Do not store a spare LP-gas cylinder under or near this appliance;
- Never fill the cylinder beyond 80 percent full;
- “Place the dust cap on the cylinder valve outlet whenever the cylinder is not in use. Only install the type of dust cap on the cylinder valve that is provided with the cylinder valve. Other type of caps or plugs may result in leakage of propane.”

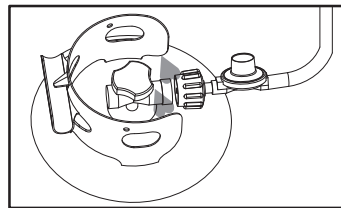
# CHECKING FOR LEAKS

## ! WARNING

- Perform all leak tests outdoors.
- Extinguish all open flames.
- NEVER leak test when smoking.
- Do not use the fire pit until all connections have been leak tested and do not leak.



Hose / Regulator connection



Regulator / Cylinder connection



1. Make 2-3 oz. of leak check solution (one part liquid dishwashing detergent and three parts water).
2. Apply several drops of solution where hose attaches to regulator.
3. Apply several drops of solution where regulator connects to cylinder.
4. Make sure all fire pit and light valves are OFF.
5. Turn cylinder valve ON.

**If bubbles appear at any connection, there is a leak.**

1. Turn cylinder valve OFF.
2. If leak is at hose/regulator connection: tighten connection and perform another leak test. If bubbles continue appearing, please call customer service.
3. If leak is at regulator/cylinder valve connection: please call customer service.

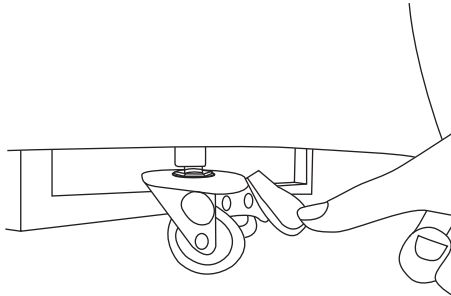
**If NO bubbles appear at any connection, the connections are secure.**

**NOTE:** Whenever gas connections are loosened or removed, you must perform a complete leak test.

# OPERATION INSTRUCTIONS

## **! WARNING**

The casters brakes on the drawer must be locked on when using the firepit



## **! DANGER**

- CARBON MONOXIDE HAZARD
- For outdoor use only. Never use inside house, or other unventilated or enclosed areas. This fire pit consumes air (oxygen). Do not use in unventilated or enclosed areas to avoid endangering your life.

## **! WARNING**

**Very hot while in operation!**  
 Never lean over the fireplace while in use.  
 Do not touch surface of spark guard while the fire pit is in operation, wait until the fire pit has cooled down after use.  
**Failure to comply with these instructions may result in serious bodily injury.**

**Caution:** Do not attempt to operate until you have read and understand all General Safety Information in this manual and all assembly is complete and leak checks have been performed.

### Before Turning Gas Supply ON:

1. Your fire pit was designed and approved for outdoor use only. Do NOT use it inside a building, garage, or any other enclosed area.
2. Make sure surrounding areas are free of combustible materials, gasoline, and other flammable vapors or liquids.
3. Ensure that there is no obstruction to air ventilation. Be sure all gas connections are tight and there are no leaks.
4. Be sure the cylinder cover is clear of debris. Be sure any component removed during assembly or servicing is replaced and fastened prior to starting.

### Before Lighting:

1. Fire pit should be thoroughly inspected before each use, and by a qualified service person at least annually. If relighting a hot fire pit, always wait at least 5 minutes.
2. Inspect the hose assembly for evidence of excessive abrasion, cuts, or wear. Suspected areas should be leak tested. If the hose leaks, it must be replaced prior to operation. Only use the replacement hose assembly specified by manufacturer. The burner must be replaced prior to the appliance being put into operations if it is evident that the burner is damaged. The replacement burner should be specified by manufacturer.

### Lighting:

#### WARNINGS/CAUTIONS:

#### FOR OUTDOOR USE ONLY

This fire pit can NOT be used indoors—use only in a well-ventilated area. This fire pit requires a hose and regulator. Check with your gas supplier.

Do not operate this fire pit below an air temperature of -18°C (-27.8 °F)

# OPERATION INSTRUCTIONS

## FOR YOUR SAFETY , READ BEFORE LIGHTING

**WARNING : IF YOU DO NOT FOLLOW THESE INSTRUCTIONS EXACTLY, A FIRE OR EXPLOSION MAY RESULT, CAUSING PROPERTY DAMAGE, PERSONAL INJURY, OR LOSS OF LIFE.**

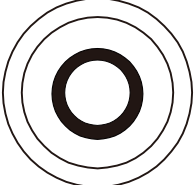
- A. BEFORE LIGHTING , smell all around the unit area for gas. Be sure to smell next to the floor, because some gas is heavier than air and will settle on the floor
- B. WHAT TO DO IF YOU SMELL GAS
  - 1.Shut off the gas to the appliance.
  - 2.Extinguish any open flame.
  - 3.If odor continues, immediately call your gas supplier or the fire department.
- C. Use only your hand to push in or turn the gas control knob.Never use tools .If the knob will not push in or turn by hand, DO NOT try to repair it. Call a qualified professional service technician. Force or attempted repair may result in fire or explosion.


## TO TURN ON THE FIRE PIT


1. STOP! Read the safety information above.
2. Push and slowly turn the knob to LOW position.
3. Hold ignitor to light the burner, release control knob after 15 seconds
4. Observe the flame height when lit. Flame should be 3 to 13 inches high.
5. If the flame goes out, turn off the burner and wait approximately five minutes to clear out any gas, and repeat steps 2-4 above
6. If your burner fails to light again,turn the control knob to the OFF position and contact your dealer or gas supplier
7. To extinguish your gas burner, turn the control knob to the OFF position Be sure the control knob is turned fully off to avoid any gas leakage

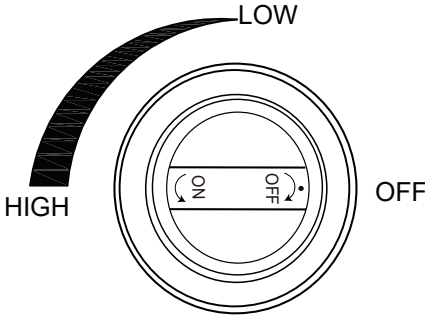
**Ignition Instructions:**

- 1.Read instructions before lighting;
- 2.Push and turn the knob to LOW;
- 3.Hold ignitor to light the burner, release control knob after 15 seconds; if burner does not light, wait 5minutes, repeat;
- 4.Adjust flame to desired flame with the control knob



Electronic Ignition 





## OPERATION INSTRUCTIONS

### **WARNING**

**FOR YOUR SAFETY**

Be careful when attempting to manually ignite this fire pit. Holding in the control knob for more than 10 seconds before igniting the gas will cause a ball of flame upon ignition.

### **WARNING**

**FOR YOUR SAFETY**

Do not sit or stand on the fire table

**When fire pit is ON:**

Burner will display tongues of blue and yellow flame. These flames should not be yellow or produce thick black smoke, indicating an obstruction of airflow through the burners. The flame should be blue with straight yellow tops. If excessive yellow flame is detected, turn off fire pit and consult "Troubleshooting" on page 18.

**Re-lighting:**

1. Turn control knob to OFF.
2. Repeat the "Lighting" steps on prior page.

### **WARNING**

**FOR YOUR SAFETY**

Fire pit will be hot after use. Handle with extreme care.

### **WARNING**

**FOR YOUR SAFETY**

If relighting a hot fire pit,  
always wait at least 5 minutes

**Shut Down:**

1. To extinguish burner depress control knob and continue to turn it clockwise to OFF.
2. Turn cylinder valve clockwise to OFF and disconnect regulator when fire pit is not in use.
3. Disconnect propane bottle (LPG) before moving the fire pit. After use, turn OFF the propane valve.

## CARE AND MAINTENANCE

To enjoy years of outstanding performance from your fire pit, make sure you perform the following maintenance activities on a regular basis: Keep exterior surfaces clean.

1. Use warm soapy water for cleaning. Never use flammable, corrosive or abrasive cleaning agents.
2. While cleaning your unit, be sure to keep the area around the burner dry at all times. Do not submerge the control valve assembly. If the gas control is submerged in water, do NOT use it. It must be replaced.
  - a. Keep the appliance area clear and free from combustible materials, gasoline and other flammable vapors and liquids
  - b. Do not obstruct the flow of combustion and ventilation air.
  - c. Keep the ventilation opening(s) of the cylinder enclosure free and clear from debris.
3. Air flow must be unobstructed. Keep controls, burner, and circulating air passageways clean. Signs of possible blockage include:
  - Gas odor with extreme yellow tipping of flame.
  - Fire pit does NOT reach the desired temperature.
  - Fire pit glow is excessively uneven.
  - Fire pit makes popping noises.
  - Spiders and insects can nest in burner or orifices. This dangerous condition can damage fire pit and render it unsafe for use. Clean burner holes by using a heavy-duty pipe cleaner. Compressed air may help clear away smaller particles.
  - Carbon deposits may create a fire hazard.

**Note:** *In a salt-air environment (such as near an ocean), corrosion occurs more quickly than normal. Frequently check for corroded areas and repair them promptly.*



### WARNING

FOR YOUR SAFETY:

- Do NOT touch or move fire pit for at least 45 minutes after use.



**TIP:** Use high-quality automobile wax to help maintain the appearance of your fire pit. Apply to exterior surfaces from the pole down. Do not apply to emitter screen or domes.

### Storage

Between uses:

- Turn Control Knob OFF.
- Disconnect LP source.
- Store fire pit upright in an area sheltered from direct contact with inclement weather (such as rain, sleet, hail, snow, dust and debris).
- If desired, cover fire pit to protect exterior surfaces and to help prevent build-up in air passages.

**Note:** *Wait until fire pit is cool before covering.*

#### ***During periods of extended inactivity or when transporting:***

- Turn Control Knob OFF.
- Disconnect LP source and move to a secure, well-ventilated location outdoors.
- Store fire pit upright in an area sheltered from direct contact with inclement weather (such as rain, sleet, hail, snow, dust and debris).
- If desired, cover fire pit to protect exterior surfaces and to help prevent build-up in air passages. Never leave LP cylinder exposed to direct sunlight or excessive heat.

**Note :** *Wait until fire pit is cool before covering.*

**Properly locating the gas hose, including locating the hose out of pathways where people may trip over it or in areas where the hose may be subject to accidental damage.**

**Service :** Only a qualified service person should repair gas passages and associated components.

**Caution :** *Always allow fire pit to cool before attempting service.*





## TROUBLESHOOTING

If you have any questions regarding the product, please call customer service at **1-877-672-3727**, 7 a.m. - 4 p.m. (PST), Monday - Friday.

PROBLEM	POSSIBLE CAUSE	CORRECTIVE ACTION
Burner won't light	Propane cylinder is frosted over	Wait until the propane cylinder warms up and becomes unfrosted
	Blockage in orifice	Clear blockage
	Control knob is not in ON position	Turn control knob to ON
Burner flame is low	Gas pressure is low	Turn cylinder valve OFF and replace cylinder
	Outdoor temperature is less than 40°F and tank is less than 1/4 full	Use a full cylinder
	Control knob fully ON	Check burner and orifices for blockage
Carbon build-up	Dirt or film on reflector and burner screen	Clean reflector and burner screen
Thick black smoke	Blockage in burner	Remove blockage and clean burner inside and outside

## ONE-YEAR LIMITED WARRANTY

### CUSTOMERS IN USA

Do not return this product to the store where you purchased it. Please call for assistance.

This product is inspected, tested and carefully packaged to minimize the chance of damage during shipment. If a part within one year from the date of purchase proves to be defective in material or fabrication under normal use, the part will be repaired or replaced.

The Company's obligation under the warranty is to replace or repair defective parts at our discretion. Any expenses or damage resulting from the installation, removal or transportation of the product will be the responsibility of the owner and are not covered by this warranty.

The owner assumes all other risks arising out from the use or misuse of the product.

The warranty will be void if the product damage or failure is deemed by the Company to be caused by accident, alteration, misuse, abuse, incorrect installation or removal, or connection to an incorrect power source by the owner. The Company neither assumes, nor authorizes any person or entity to assume for it any obligation or liability associated with its products.

If you have any questions regarding the warranty or service, please call our number:  
1-877-672-3727



## IMPORTANT INFORMATION ABOUT NATURAL STONE TOP

### CONGRATULATIONS !

You have purchased a Natural Stone Table. The Natural Stone Table's beauty and durability will enhance your outdoor entertaining for years to come.

Natural Stone's surface is not homogeneous, therefore, the patterns may differ in texture and color. This variation in Natural Stone allows each table to convey its own unique character and beauty.

With reasonable care your Natural Stone Table should have a long, trouble-free life by observing the following:

### PRECAUTIONS FOR FURNITURE USAGE

1. It is recommended that you carefully transport the table in a vertical position
2. Do not scrape or hammer on the table top with a hard instrument or sharp tool
3. Unbalanced weight on the table top is forbidden ( ex: sitting on the corner of the table top, or standing on the table top ) . These types of behavior may cause damage to the internal structure of the table top.
4. For safety, children should not be allowed to play on, or around the table top without adult supervision.
5. Do not drag heavy and / or corrosive objects over the table top
6. Do not burn objects or debris, or grill on the table top
7. The table top is resistant to temperatures ranging from -25°C to 50°C

### CARE AND MAINTENANCE INSTRUCTIONS

1. Prior to dispatch from the factory, a fluorocarbon treatment has been applied to the surface of the stone table. Also prior to dispatch from the factory, several cleaning and brushing techniques have been applied to the table top allowing it anti-dust, water resistant, UV protection, and wear resistance qualities. However, over a period of six (6) to twelve (12) months some of these qualities may diminish-requiring the table top to be resealed. The following test can be applied in order to determine if the table top does need to be resealed. Simply, place a few drops of water onto the table top surface- if the water is absorbed into the stone within ten (10) minutes, then resealing is recommended.
2. Even with normal, everyday use, common reactions from being exposed to the elements are: tiny cracks, circular holes and color oxidization of the stone. If the table top acquires a light stain from a liquid spill such as: vinegar, wine or a citrus based juice, please wipe the area immediately. DO NOT apply an abrasive or corrosive cleaning agent. A soft wash cloth with a warm water / mild detergent mix is recommended
3. When placing hot food containers or other hot objects onto the table top surface, use THICK mats or placements underneath these items
4. As in all outdoor furniture, your Natural Stone Table will maintain its new appearance longer, if it is not exposed to the elements for prolonged periods of time. We recommend you place a cover over the table top during periods of non-use.

By following these guidelines you will extend the beauty and functionality of your Natural Stone Table top